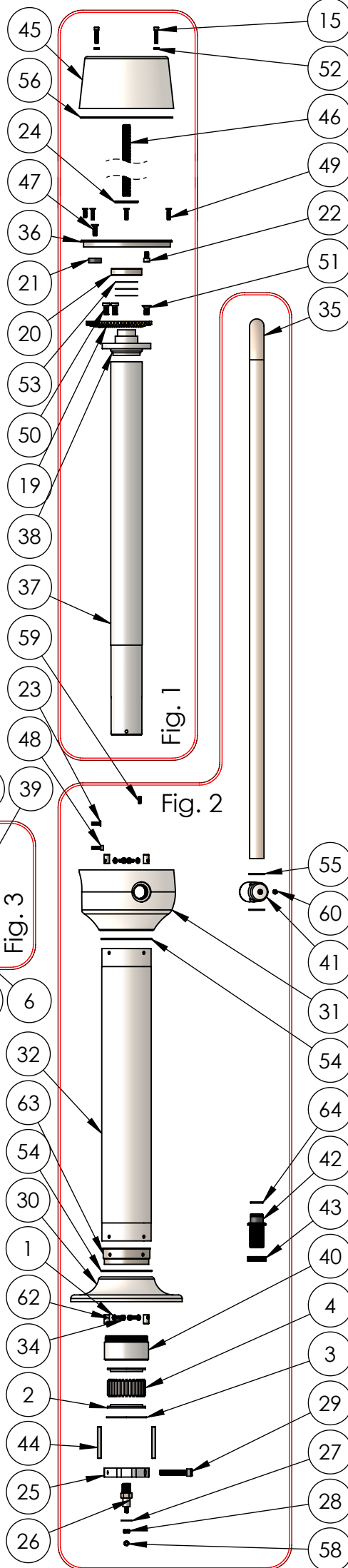
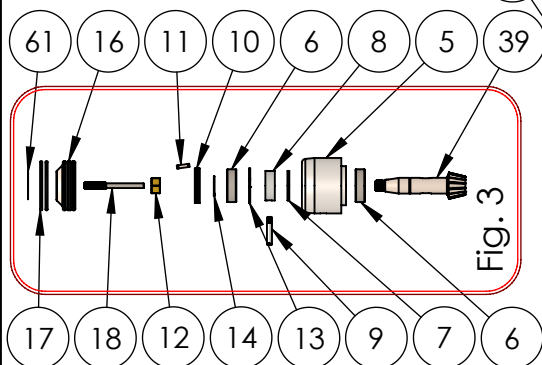


**RP100-71S**  
 This is the complete list of parts for Jefas 100 pedestal. On the following pages you will find detailed information of all configurations for this pedestal.



ITEM NO.	RP100-71S part list	QTY
1	Z4-133 Washer Ø12x6 stainless	8
2	Z4-246 L-ring	2
3	Z4-248 Lockring ø88.5xø71	1
4	Z4-250 Rulle ø8 L=32mm	30
5	Z4-145 input socket	1
6	ZBB-6205 ballbearing 2RS 25x52x15mm	2
7	ZP6-160 Brakeplate 47x26x3mm	1
8	Z4-165 Brakering for input socket ø47	1
9	Z4-170 Brake pinion Ø8x44mm stainless	1
10	ZP1-255508 Purlip seal ø25 x ø55	1
11	Z-DIN6885-5x5x20	1
12	Z3-083 nut 5-8UNF brass	1
13	Z-DIN0472-J52 Circlip inside J52 DIN472	1
14	Z-DIN0471-A25 Lockring outside A25 DIN471	1
15	Z-DIN0912-M06x30 Hexagon socket head screw CH A2 M6x30	4
16	Z4-375 Spinner brake hub	1
17	ZP3-102 O-ring 58,74x3,35	2
18	Z4-386S Spinnershaft short	1
19	Z4-195 Gear M2.5 Z70	1
20	ZBB-6008 ballbearing 2RS 40x68x15mm	1
21	Z4-213 RP 300 contra brick 175mm sprocket	1
22	Z-DIN0912-M08x14 Hexagon socket head screw CH A2 M8x14	1
23	Z-DIN7991-M06x20 Socket countersunk UH A2 M6x20	4
24	Z4-540 RP100 Ø52mm pom disc	1
25	Z4-215 Output lever	1
26	Z4-225 Pin for output lever M18x1.5 ø16	1
27	Z-DIN9021-M08 Washer for 8mm shaft	1
28	Z-DIN0985-M08 Locknut A2 M08	1
29	Z-DIN0912-M10x60 Hexagon socket head screw CH A2 M10x60	2
30	Z4-500 RP100 basering	1
31	Z4-515 RP100 Topunit ø218mm	1
32	Z4-506-71	1
33	Z-DIN0933-M06x12 A4 Steel hex screw M6x12mm	4
34	Z-DIN0933-M06x18 A4 Steel hex screw M6x18mm	4
35	Z4-518 RP100 guardrail standard	1
36	Z4-530 RP100 Bearing bricket	1
37	Z4-211 RP71 Downtube ø70x84	1
38	Z4-205 RP300 top for tube	1
39	Z4-190 RP300 input pinion 25mm 14T	1
40	Z4-230 Bearinghouse RP	1
41	Z4-520 Support guardrail	2
42	Z4-527 RP100 Guardrail bottom support	2
43	Z4-529 Alloy nut Guardrail bottom support	2
44	Z-FED08x08x70	2
45	Z4-510 RP100 Binnacle house	1
46	Z4-543 Plastrør flex 5-8in	1
47	Z-DIN7991-M08x25 Socket countersunk UH A2 M8x25	1
48	Z-DIN0912-M06x20 Hexagon socket head screw CH A2 M6x20	2
49	Z-DIN7991-M06x25 Socket countersunk UH A2 M6x25	5
50	Z-DIN7984-M10x20 Socket head thin cap screw M10x20	3
51	Z-DIN7991-M10x20 Socket countersunk UH A2 M10x20	1
52	Z-DIN6798-M06 Serrated lock washer A2 M06	4
53	Z-DIN0988-40x50x0.1 Shim Support Ring ø40xø50x0.1mm	3
54	ZP3-113 O-ring 110x2.5mm NB	2
55	ZP3-103 O-ring 32x2mm NBR 70	4
56	ZP3-110 O-ring 200x2.5mm NBR SHORE	1
57	Z-DIN0912-M06x12 Hexagon socket head screw CH A2 M6x12	1
58	Z-DIN0985-M06 Locknut A2 M06	1
59	Z-DIN0916-M06x16 Socket set screw cup point M6x16	2
60	Z-DIN0916-M08x10 Socket set screw cup point M8x10	2
61	ZB0405 Jefa label round ø44mm clear with blue logo	1
62	Z4-535 RP100 Ø12 nut	8
63	Z4-502 Clamping ring	1
64	ZP3-104 O-ring 22x2,5mm NBR 70	2

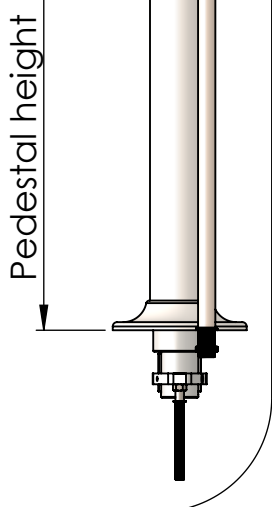
- Contents**
1. RP100-71S part list
  2. Pedestal height (fig. 1, 2)
  3. Input socket (fig. 3)
  4. Accessories
  5. Accessory part list

# Pedestal height

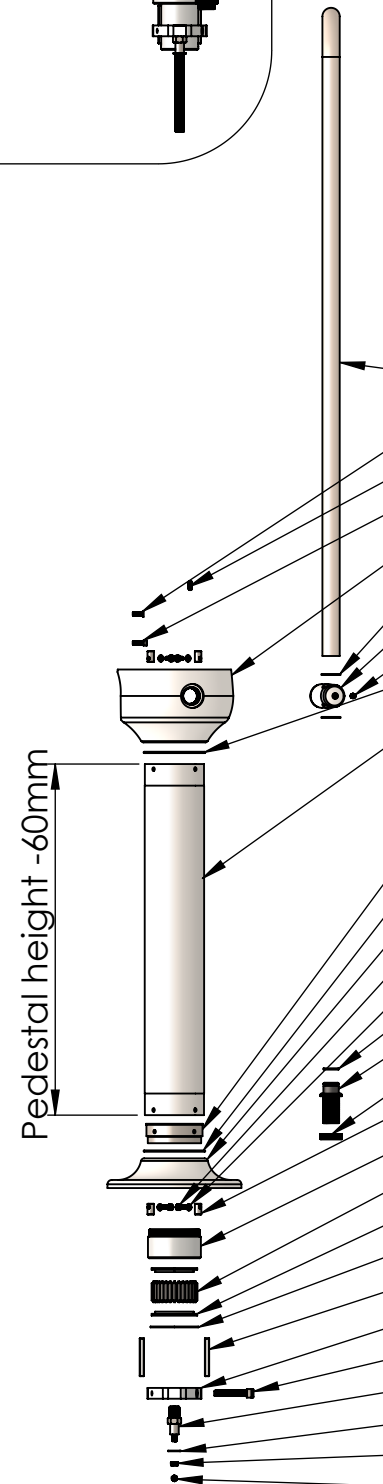
The height of the pedestal is measured from the cockpit floor mounting surface to the center of the input socket where you mount the steering wheel.

The pedestal height is determined by two parts, the down tube and the pedestal tube. At Jefa we produce the 100 pedestal with three different standard heights, **63cm**, **71cm** and **80cm**.

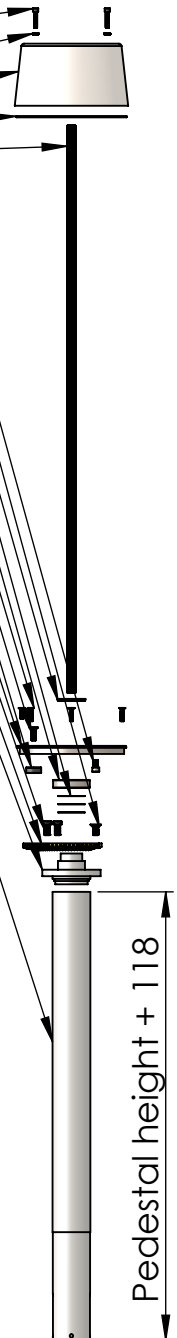
Custom heights is possible with customer needs, and the custom height should be specified when ordering the pedestal or specific parts which are needed.



- Z-DIN0912-M06x30 Hexagon socket head screw CH A2 M6x30
- Z-DIN6798-M06 Serrated lock washer A2 M06
- Z4-510 RP100 Binnacle house
- ZP3-110 O-ring 200x2.5mm NBR SHORE
- Z4-543 Plastrør flex 5-8in
- Z-DIN0912-M08x14 Hexagon socket head screw CH A2 M8x14
- Z-DIN7991-M10x20 Socket countersunk UH A2 M10x20
- Z4-540 RP100 Ø52mm pom disc
- Z-DIN0988-40x50x0.1 Shim Support Ring ø40xø50x0.1mm
- ZBB-6008 ballbearing 2RS 40x68x15mm
- Z-DIN7991-M06x25 Socket countersunk UH A2 M6x25
- Z-DIN7991-M08x25 Socket countersunk UH A2 M8x25
- Z4-213 RP 300 contra brick 175mm sprocket
- Z4-530 RP100 Bearing bricket
- Z-DIN7984-M10x20 Socket head thin cap screw M10x20
- Z4-195 Gear M2.5 Z70
- Z4-205 RP300 top for tube
- 63cm = Z4-210 RP63 Downtube ø70x760mm**
- 71cm = Z4-211 RP71 Downtube ø70x840mm**
- 80cm = Z4-212 RP80 Downtube ø70x930mm**

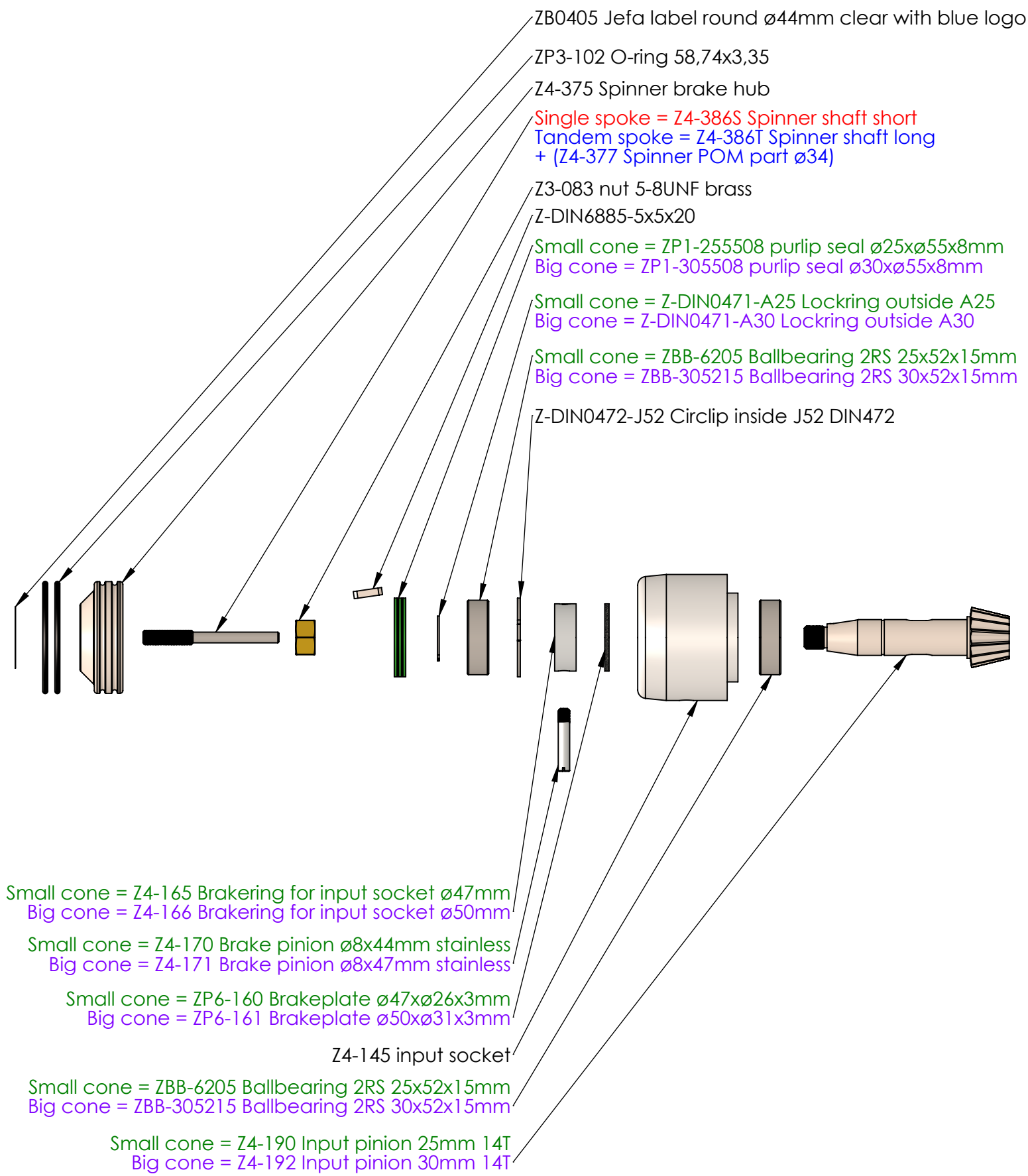


- Z4-518 RP100 guardrail standard
- Z-DIN7991-M06x20 Socket countersunk UH A2 M6x20
- Z-DIN0916-M06x16 Socket set screw cup point M6x16
- Z-DIN0912-M06x20 Hexagon socket head screw CH A2 M6x20
- Z4-515 RP100 Topunit ø218mm
- ZP3-103 O-ring 32x2mm NBR 70
- Z4-520 Support guardrail
- Z-DIN0916-M08x10 Socket set screw cup point M8x10
- ZP3-113 O-ring 110x2.5mm NB
- 63cm = Z4-506/63 RP100 tube Ø110x3mm 570mm**
- 71cm = Z4-506/71 RP100 tube Ø110x3mm 650mm**
- 80cm = Z4-506/80 RP100 tube Ø110x3mm 740mm**
- Z4-502 Clamping ring
- ZP3-113 O-ring 110x2.5mm NB
- Z4-500 RP100 basering
- Z-DIN0933-M06x18 A4 Steel hex screw M6x18mm
- Z4-133 Washer Ø12x6 stainless
- ZP3-104 O-ring 22x2,5mm NBR 70
- Z4-527 RP100 Guardrail bottom support
- Z4-529 Alloy nut Guardrail bottom support
- Z4-535 RP100 Ø12 nut
- Z4-230 Bearinghouse RP
- Z4-250 Rulle ø8 L=32mm
- Z4-246 L-ring
- Z4-248 Lockring ø88.5xø71
- Z-FED08x08x70
- Z4-215 Output lever
- Z-DIN0912-M10x60 Hexagon socket head screw CH A2 M10x60
- Z4-225 Pin for output lever M18x1.5 ø16
- Z-DIN9021-M08 Washer for 8mm shaft
- Z-DIN0985-M08 Locknut A2 M08
- Z-DIN0985-M06 Locknut A2 M06



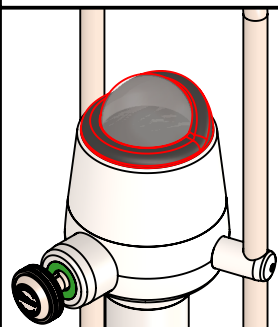
# Input socket

The input socket has a standard mounting for all jefa pedestals, but different variations in the input socket is necessary for Jefas different kinds of steering wheels. **Single spoke** steering wheels has a short hub, and a short spinner shaft is necessary to use the wheel brake in the input socket. **Tandem spoke** steering wheels has a longer hub, and in this case a long spinner shaft is needed. "Small" steering wheels including up to 1500mm wheels are mounted on a 25mm shaft and one Z-DIN6885-5x5x20mm key on a **small cone**. All wheels larger than 1500mm are mounted on a 30mm shaft and 2pcs Z-DIN6885-5x5x20mm keys on a **big cone**.



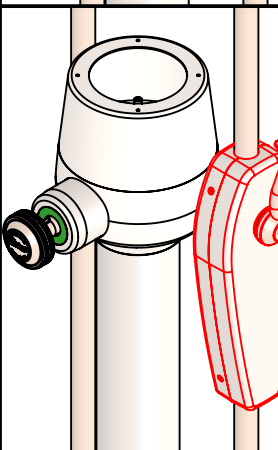
# Accessories

For Jefa 100 pedestal we deliver additional accessories such as compasses, cockpit table and engine control. In the following page you will find the accessories which can be delivered by Jefa and fit your 100 pedestal.



## Compasses

Jefa has two compasses for the 100 pedestal, Plastimo Olympic 135 and Plastimo Horizon 135, which both can be mounted on the horizontal top surface.

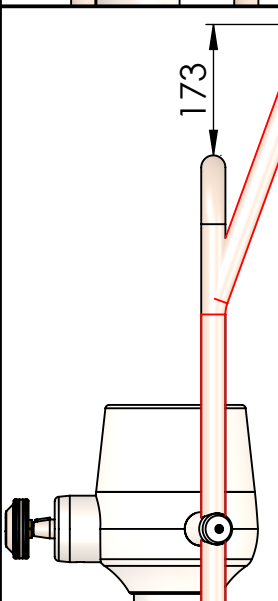
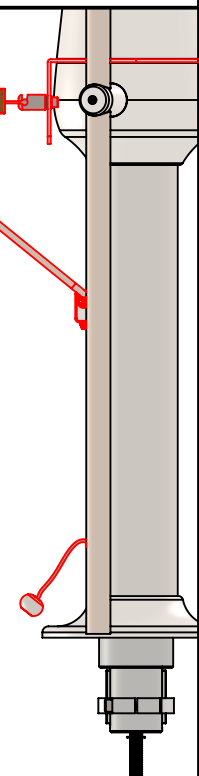


## Engine control

Teleflex TFX engine control mechanism with polished stainless steel handle. The complete mechanism is mounted inside the pedestal.

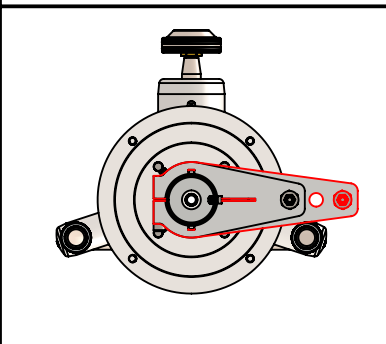
## Cockpit table

For Jefa's 100 pedestal, we can provide a teak cockpit table with a good functionality, such as folding the table together and closing it down to be parallel with the pedestal tube. It is easy and fast to pick the table of the pedestal. The table surface at normal use is 650x700mm. When purchasing a cockpit table you will receive the fittings to mount the table. But it is possible to order the fittings without table if you have a table you wish to mount on your pedestal.



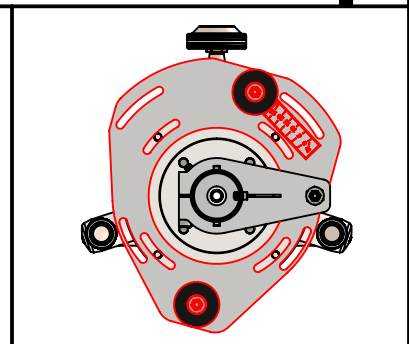
## Guardrails

For Jefas 100 pedestal, the customer has an opportunity to choose a kick back guardrail. GUA100KB is higher and kicked back for extra space, and has the possibility to install an instrument pod, or radar pod if needed. Cable's can be pulled through the guardrail tube, and and through the feet at the cockpit floor.



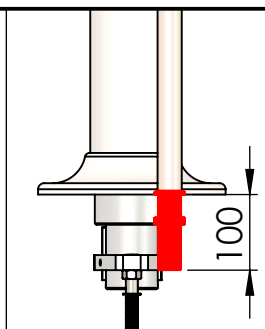
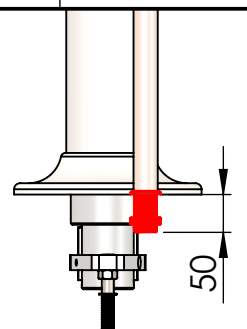
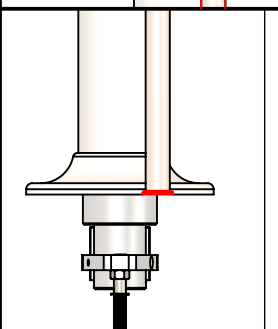
## Output arm

Extended output lever is used for attaching drive unit or special rudder geometry.



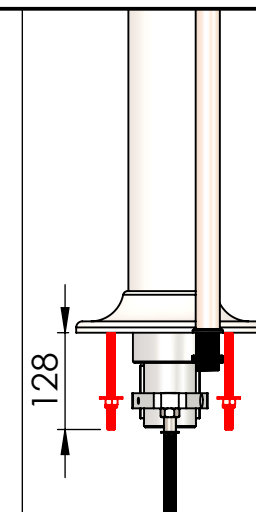
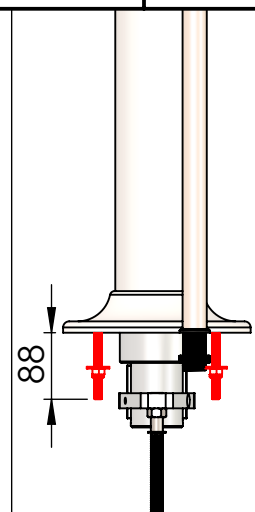
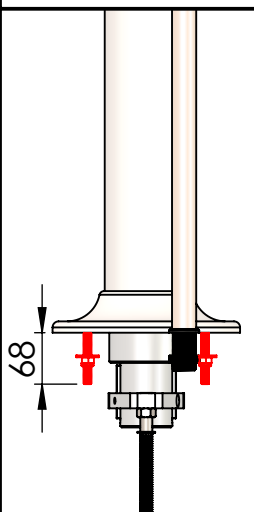
## Stop ring

Our stop ring fit the mounting screws under the pedestal. It can be adjusted up to 25°.



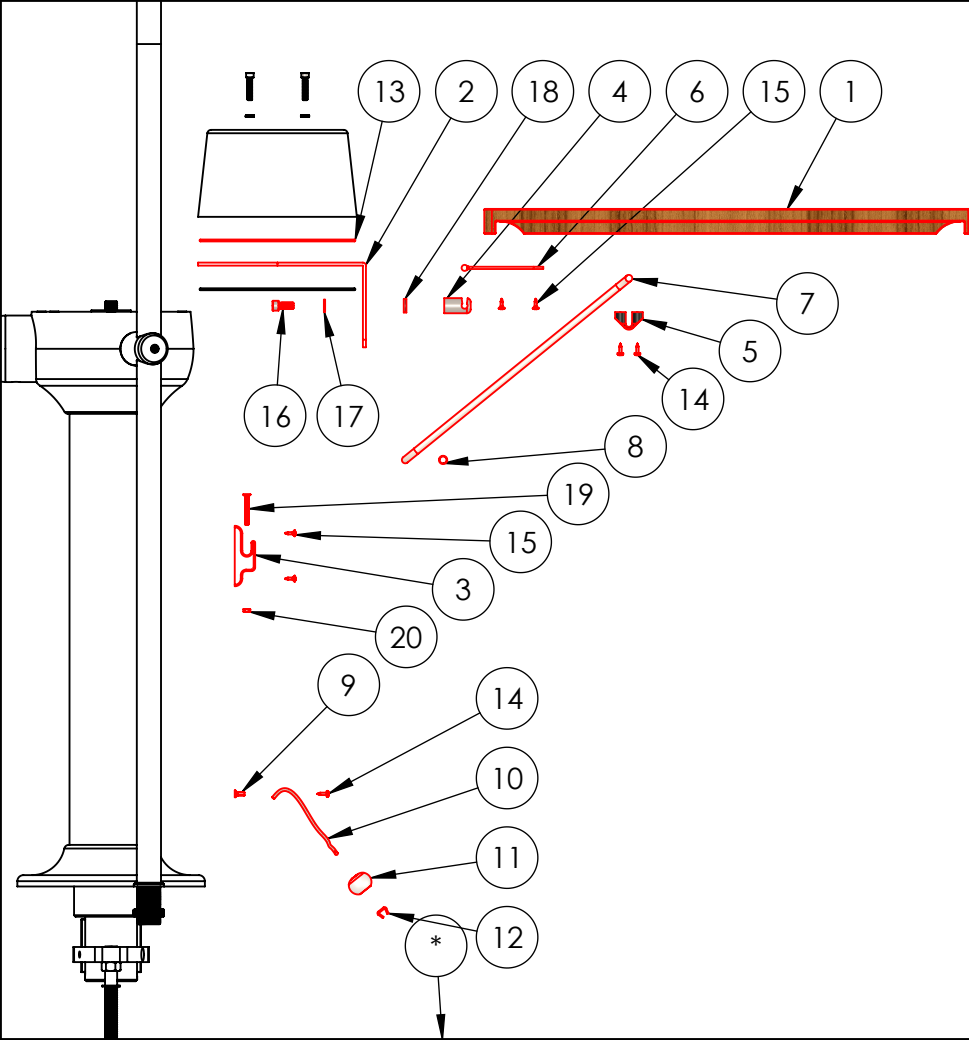
## Guardrail feet

Jefa has three types of guardrail feet for the 100 pedestal guardrail. GUA100-S1 is mounted with a M8 screw on the cockpit floor, and doesn't have a hole for cable entry. GUA100-S2 is standard for the 100 pedestal, with cable entry for normal cockpit floor thickness. GUA100-S3 is with cable entry for extra thick cockpit floor.



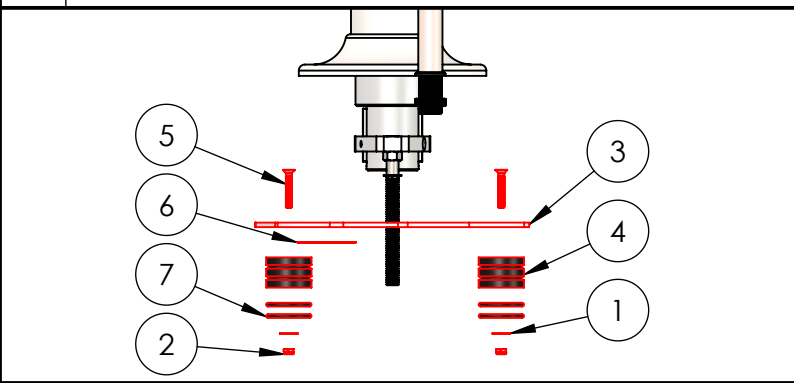
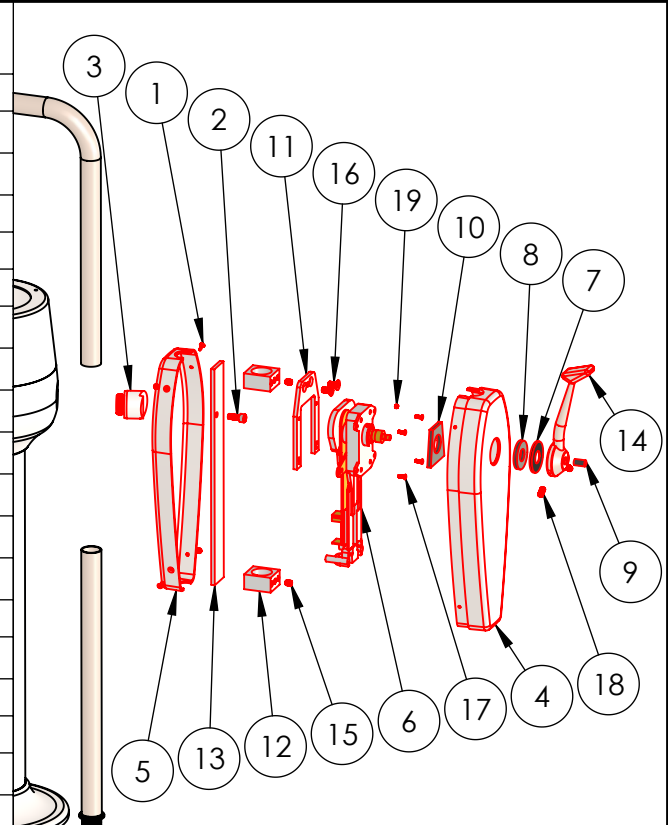
## Mounting studs

M10 studs are available for all our pedestals in the specific length which fit the deck thickness of the yacht.



ITEM NO.	CT100 part list	QTY.
1	Z2-100 Cockpittable	1
2	Z2-095 Cockpittable bracket RP100	1
3	Z2-075 Cockpittable stop RP100-300	1
4	Z2-085 Cockpittable Hook RP100	2
5	Z2-109 Bearing for U-bend, cockpittable	2
6	Z2-092 100 Hinge for Cockpittable	1
7	Z2-105 U-bend for cockpittable	1
8	Z2-106 Nylontulle	1
9	Z2-115 S.S. Eye strap	1
10	Z2-120 Rubberband	1
11	Z2-125 Plastic ball for rubberband	1
12	Z2-130 Clamp ring for shock cord	1
13	ZP3-110 O-ring 200x2.5mm NBR SHORE	1
14	Z-DIN7981H-4.2x13 Plate screw PH 4.2x13mm	6
15	Z-DIN7983Z-4.2x13 Platescrew LH 4,2x13mm	6
16	Z-DIN0912-M08x20 Hexagon socket head screw CH A2 M8x20	2
17	Z-DIN0125-08 Washer A A2 Ø8,4mm	2
18	ZP9-101 pack for cistern	2
19	Z-DIN7991-M05x40 Socket countersunk UH A2 M5x40	1
20	Z-DIN0934-M05 Hexagon nut A2 M5	1

ITEM NO.	EC100 part list	QTY.
1	Z-DIN7983Z-4.2x13 Platescrew LH 4,2x13mm	4
2	Z-DIN0912-M08x20 Hexagon socket head screw CH A2 M8x20	1
3	Z4-525 Support guardrail for engine control	1
4	Z4-610-A RP100 EC coffin front	1
5	Z4-610-B RP100 EC coffin Back	1
6	Z4-360 EC TFX B700 mechanism	1
7	Z4-356 Support washer delrin	1
8	Z4-357 Foam packing for handle Ø46mm	1
9	Z4-358 Bottom for Engine control	1
10	Z4-615 EPDM cellfoam for enginecontrolcover 6mm	1
11	Z4-605 RP100 engine control bracket	1
12	Z4-606 RP100 engine control block	2
13	Z4-607 RP100 Engine control bar	1
14	Z4-355 Handle for TX700	1
15	Z-DIN0916-M08x10 Socket set screw cup point M8x10	2
16	Z-DIN7991-M08x16 Socket countersunk UH A2 M8x16	2
17	Z-DIN7991-M04x12 Socket countersunk UH A2 M4x12	4
18	Z-DIN0916-M08x16 Socket set screw cup point M8x16	2
19	Z-DIN0915-M05x06 Socket Set Screw M5x6mm	1



ITEM NO.	RPSTOP part list	QTY.
1	Z-DIN9021-M08 Washer for 8mm shaft	2
2	Z-DIN0985-M08 Locknut A2 M08	2
3	Z4-650 RP Stopping	1
4	Z4-651 Stopping delrin stop	2
5	Z-DIN7991-M08x50 Socket countersunk UH A2 M8x50	2
6	Z4-650 stick Sticker for stopplate	1
7	ZP3-106 O-ring 50x5mm EPDM	4